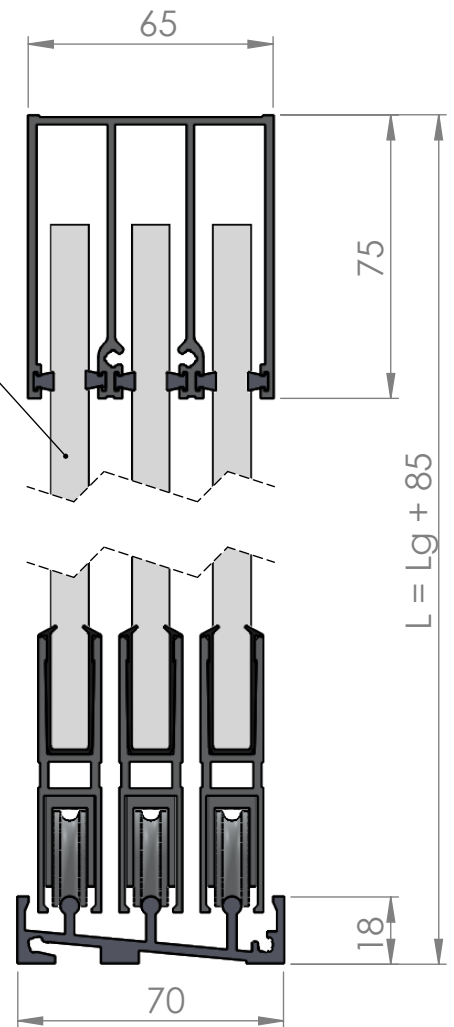


BESCHIKBARE VARIANTEN AVAILABLE VARIANTS VERFÜGBARE VARIANTEN VARIANTES DISPONIBLES			
LENGTE LENGTH LÄNGE LONGUEUR	RAL9001	RAL7016M	RAL9016
3000	✓	✓	✓

✓ Beschikbaar/ Available/ Verfügbar/ Disponible

Glasmaat Glass size Glasgröße Taille du verre		Speling Tolerance Toleranz Tolérance
Lg	L	
2000	2085	-20 / +35
2050	2135	-20 / +35
2100	2185	-20 / +35
2150	2235	-20 / +35
2200	2285	-20 / +35
2250	2335	-20 / +35
2300	2385	-20 / +35
2350	2435	-20 / +35
2400	2485	-20 / +35
2500	2585	-20 / +35
2600	2685	-20 / +35

10mm gehard glas, rondom geslepen
10mm tempered glass, round cut
10mm gehärtetes Glas, rund geschliffen
10mm verre trempé, coupé rond



Afmetingen in mm
Dimensions in mm
Größen in mm
Dimensions en mm


Deurbreedte: 980mm
Door width: 980mm
Türbreite: 980mm
Largeur de la porte: 980mm

DO NOT SCALE

BREAK SHARP EDGES

UNLESS OTHERWISE SPECIFIED:
DIMENSIONS ACCORDING TO NEN-ISO 2768-1m

THE INFORMATION ON THIS DRAWING IS CONFIDENTIAL.
CHANGE AND / OR DISTRIBUTION OF THIS DRAWING IS ONLY
ALLOWED AFTER WRITTEN PERMISSION OF SUNROOMS B.V.

REVISION	A	TITLE:	
DATE	14-02-2017	Maatschets 3-sporige rail Dimension sheet 3-track rail Dimension Sheet 3-spurige Schiene Dimension sheet rail 3-voies	
DRAWN	J DE JAGER		
MATERIAL			
FINISH			
			DWG NO.
		SCALE:1:2	SHEET 1 OF 1
			A4