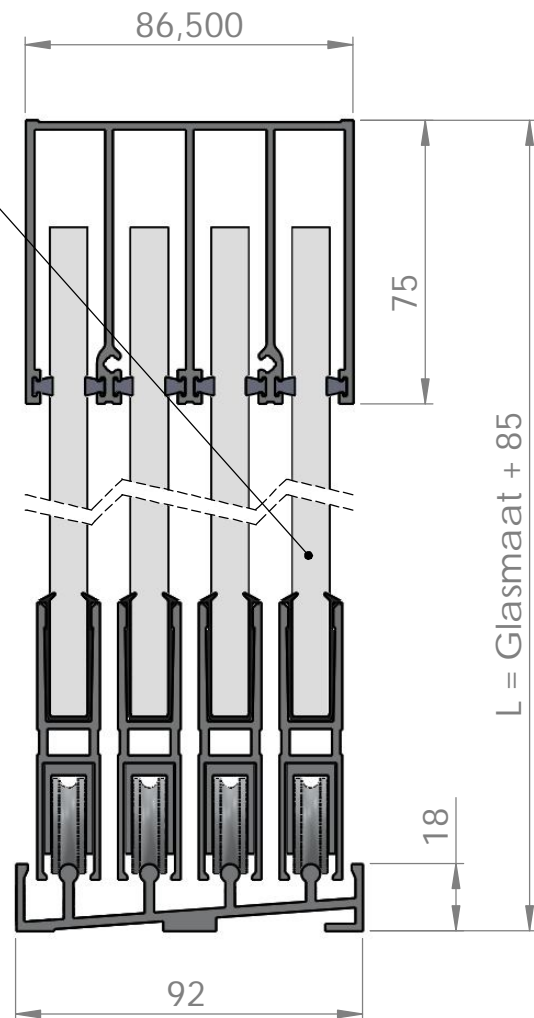


| BESCHIKBARE VARIANTEN |         |          |         |
|-----------------------|---------|----------|---------|
| LENGTE                | RAL9001 | RAL7016M | RAL9016 |
| 2900                  | ✓       | ✓        | ✓       |
| 3900                  | ✓       | ✓        | ✓       |
| 4900                  | ✓       | ✓        | ✓       |
| 5900                  | ✓       | ✓        | ✓       |

| Glasmaat | L    | Speling   |
|----------|------|-----------|
| 2000     | 2085 | -20 / +35 |
| 2050     | 2135 | -20 / +35 |
| 2100     | 2185 | -20 / +35 |
| 2150     | 2235 | -20 / +35 |
| 2200     | 2285 | -20 / +35 |
| 2250     | 2335 | -20 / +35 |
| 2300     | 2385 | -20 / +35 |
| 2350     | 2435 | -20 / +35 |
| 2400     | 2485 | -20 / +35 |
| 2500     | 2585 | -20 / +35 |
| 2600     | 2685 | -20 / +35 |

✓ Beschikbaar

10mm gehard glas, rondom geslepen



Afmetingen in mm

Deurbreedte: 980mm

DO NOT SCALE

BREAK SHARP EDGES

UNLESS OTHERWISE SPECIFIED:  
DIMENSIONS ACCORDING TO NEN-ISO 2768-1m

THE INFORMATION ON THIS DRAWING IS CONFIDENTIAL  
CHANGE AND / OR DISTRIBUTION OF THIS DRAWING IS ONLY  
ALLOWED AFTER WRITTEN PERMISSION OF SUNROOMS B.V.

|          |            |
|----------|------------|
| REVISION | B          |
| DATE     | 13-10-2015 |
| DRAWN    | J DE JAGER |
| MATERIAL |            |
| FINISH   |            |

TITLE:

# MAATSCHETS 4 SPORIGE RAIL

DWG NO.

A4



SCALE:1:2

SHEET 1 OF 1